

026

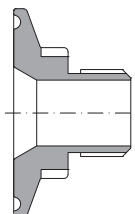
ART.

TRI-CLAMP FITTINGS



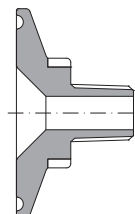
TRI-CLAMP MALE ADAPTOR

BSPP MALE THREADED



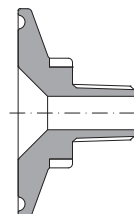
ART. 026/A
P. 095

BSPT MALE THREADED



ART. 026/B
P. 098

NPT MALE THREADED



ART. 026/C
P. 101

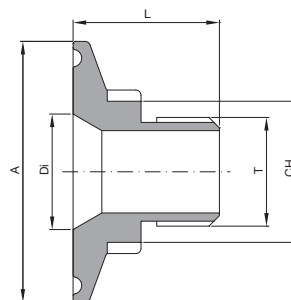


ASTM A270 Flange design According to ASME-BPE

Size	T	Ø A	Ø Di	CH	L	Material	Code
1/2"	1/8"	25,00	9,40	22,00	28,00	1.4404	026A600500012ML
	1/4"	25,00	9,40	22,00	28,00	1.4404	026A600500025ML
	3/8"	25,00	9,40	22,00	30,00	1.4404	026A600500037ML
	1/2"	25,00	9,40	22,00	35,00	1.4404	026A600500050ML
	3/4"	25,00	9,40	32,00	40,00	1.4404	026A600500075ML
	1"	25,00	9,40	36,00	40,00	1.4404	026A600500100ML
3/4"	1/8"	25,00	15,75	22,00	28,00	1.4404	026A600750012ML
	1/4"	25,00	15,75	22,00	28,00	1.4404	026A600750025ML
	3/8"	25,00	15,75	22,00	30,00	1.4404	026A600750037ML
	1/2"	25,00	15,75	22,00	35,00	1.4404	026A600750050ML
	3/4"	25,00	15,75	32,00	40,00	1.4404	026A600750075ML
	1"	25,00	15,75	36,00	40,00	1.4404	026A600750100ML
1"	1/8"	50,50	22,10	22,00	28,00	1.4404	026A601000012ML
	1/4"	50,50	22,10	22,00	28,00	1.4404	026A601000025ML
	3/8"	50,50	22,10	24,00	28,00	1.4404	026A601000037ML
	1/2"	50,50	22,10	27,00	28,00	1.4404	026A601000050ML
	3/4"	50,50	22,10	32,00	28,00	1.4404	026A601000075ML
	1"	50,50	22,10	36,00	28,00	1.4404	026A601000100ML
1.1/2"	1/8"	50,50	34,80	22,00	28,00	1.4404	026A601500012ML
	1/4"	50,50	34,80	22,00	28,00	1.4404	026A601500025ML
	3/8"	50,50	34,80	24,00	28,00	1.4404	026A601500037ML
	1/2"	50,50	34,80	27,00	28,00	1.4404	026A601500050ML
	3/4"	50,50	34,80	32,00	28,00	1.4404	026A601500075ML
	1"	50,50	34,80	36,00	28,00	1.4404	026A601500100ML
	1.1/4"	50,50	34,80	46,00	45,00	1.4404	026A601500125ML
	1.1/2"	50,50	34,80	46,00	45,00	1.4404	026A601500150ML
2"	1/8"	64,00	47,50	22,00	32,00	1.4404	026A602000012ML
	1/4"	64,00	47,50	22,00	32,00	1.4404	026A602000025ML
	3/8"	64,00	47,50	24,00	32,00	1.4404	026A602000037ML
	1/2"	64,00	47,50	27,00	32,00	1.4404	026A602000050ML
	3/4"	64,00	47,50	32,00	32,00	1.4404	026A602000075ML
	1"	64,00	47,50	41,00	32,00	1.4404	026A602000100ML
	1.1/4"	64,00	47,50	50,00	40,00	1.4404	026A602000125ML
	1.1/2"	64,00	47,50	54,00	40,00	1.4404	026A602000150ML
2"	64,00	47,50	65,00	40,00	1.4404	026A602000200ML	
2.1/2"	1.1/4"	77,40	60,20	50,00	37,00	1.4404	026A602500125ML
	1.1/2"	77,40	60,20	54,00	37,00	1.4404	026A602500150ML
	2"	77,40	60,20	65,00	47,00	1.4404	026A602500200ML
	2.1/2"	77,40	60,20	84,00	62,00	1.4404	026A602500250ML
3"	2"	90,90	72,90	65,00	47,00	1.4404	026A603000200ML
	2.1/2"	90,90	72,90	84,00	62,00	1.4404	026A603000250ML
	3"	90,90	72,90	95,00	75,00	1.4404	026A603000300ML
4"	2.1/2"	118,90	97,40	84,00	55,00	1.4404	026A604000250ML
	3"	118,90	97,40	95,00	70,00	1.4404	026A604000300ML
	4"	118,90	97,40	114,00	70,00	1.4404	026A604000400ML

ML

Int. finishing: Ra ≤ 0,4 µm Machined Finish
Ext. finishing: Ra ≤ 0,8 µm Mirror Polished

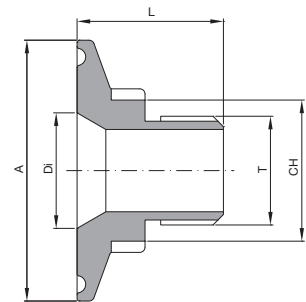


DIN 32676

Size	T	Ø A	Ø Di	CH	L	Material	Code
DN 10	1/8"	34,00	10,00	19,00	28,00	1.4404	026A6D0100012ML
	1/4"	34,00	10,00	19,00	28,00	1.4404	026A6D0100025ML
	3/8"	34,00	10,00	30,00	40,00	1.4404	026A6D0100037ML
	1/2"	34,00	10,00	30,00	40,00	1.4404	026A6D0100050ML
	3/4"	34,00	10,00	30,00	40,00	1.4404	026A6D0100075ML
	1"	34,00	10,00	36,00	40,00	1.4404	026A6D0100100ML
DN 15	1/8"	34,00	16,00	19,00	28,00	1.4404	026A6D0150012ML
	1/4"	34,00	16,00	19,00	28,00	1.4404	026A6D0150025ML
	3/8"	34,00	16,00	30,00	40,00	1.4404	026A6D0150037ML
	1/2"	34,00	16,00	30,00	40,00	1.4404	026A6D0150050ML
	3/4"	34,00	16,00	30,00	40,00	1.4404	026A6D0150075ML
	1"	34,00	16,00	36,00	40,00	1.4404	026A6D0150100ML
DN 20	1/8"	34,00	20,00	19,00	28,00	1.4404	026A6D0200012ML
	1/4"	34,00	20,00	19,00	28,00	1.4404	026A6D0200025ML
	3/8"	34,00	20,00	30,00	40,00	1.4404	026A6D0200037ML
	1/2"	34,00	20,00	30,00	40,00	1.4404	026A6D0200050ML
	3/4"	34,00	20,00	30,00	40,00	1.4404	026A6D0200075ML
	1"	34,00	20,00	36,00	40,00	1.4404	026A6D0200100ML
DN 25	1/8"	50,50	26,00	22,00	28,00	1.4404	026A6D0250012ML
	1/4"	50,50	26,00	22,00	28,00	1.4404	026A6D0250025ML
	3/8"	50,50	26,00	24,00	28,00	1.4404	026A6D0250037ML
	1/2"	50,50	26,00	27,00	28,00	1.4404	026A6D0250050ML
	3/4"	50,50	26,00	32,00	28,00	1.4404	026A6D0250075ML
	1"	50,50	26,00	36,00	28,00	1.4404	026A6D0250100ML
DN 32	1/8"	50,50	32,00	22,00	28,00	1.4404	026A6D0320012ML
	1/4"	50,50	32,00	22,00	28,00	1.4404	026A6D0320025ML
	3/8"	50,50	32,00	24,00	28,00	1.4404	026A6D0320037ML
	1/2"	50,50	32,00	27,00	28,00	1.4404	026A6D0320050ML
	3/4"	50,50	32,00	32,00	28,00	1.4404	026A6D0320075ML
	1"	50,50	32,00	36,00	28,00	1.4404	026A6D0320100ML
	1.1/4"	50,50	32,00	46,00	45,00	1.4404	026A6D0320125ML
	1.1/2"	50,50	32,00	46,00	45,00	1.4404	026A6D0320150ML
	1.1/2"	50,50	32,00	46,00	45,00	1.4404	026A6D0320150ML
DN 40	1/8"	50,50	38,00	22,00	28,00	1.4404	026A6D0400012ML
	1/4"	50,50	38,00	22,00	28,00	1.4404	026A6D0400025ML
	3/8"	50,50	38,00	24,00	28,00	1.4404	026A6D0400037ML
	1/2"	50,50	38,00	27,00	28,00	1.4404	026A6D0400050ML
	3/4"	50,50	38,00	32,00	28,00	1.4404	026A6D0400075ML
	1"	50,50	38,00	36,00	28,00	1.4404	026A6D0400100ML
	1.1/4"	50,50	38,00	46,00	45,00	1.4404	026A6D0400125ML
	1.1/2"	50,50	38,00	46,00	45,00	1.4404	026A6D0400150ML
	1.1/2"	50,50	38,00	46,00	45,00	1.4404	026A6D0400150ML
DN 50	1/8"	64,00	50,00	22,00	32,00	1.4404	026A6D0500012ML
	1/4"	64,00	50,00	22,00	32,00	1.4404	026A6D0500025ML
	3/8"	64,00	50,00	24,00	32,00	1.4404	026A6D0500037ML
	1/2"	64,00	50,00	27,00	32,00	1.4404	026A6D0500050ML
	3/4"	64,00	50,00	32,00	32,00	1.4404	026A6D0500075ML
	1"	64,00	50,00	41,00	32,00	1.4404	026A6D0500100ML
	1.1/4"	64,00	50,00	50,00	40,00	1.4404	026A6D0500125ML
	1.1/2"	64,00	50,00	54,00	40,00	1.4404	026A6D0500150ML
	1.1/2"	64,00	50,00	54,00	40,00	1.4404	026A6D0500150ML
2"	64,00	50,00	65,00	40,00	1.4404	026A6D0500200ML	

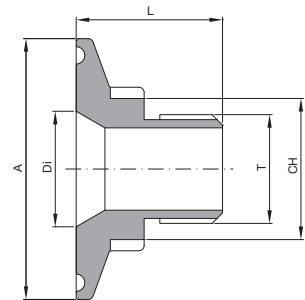
**ML**

Int. finishing: $Ra \leq 0,4 \mu\text{m}$ Machined Finish
 Ext. finishing: $Ra \leq 0,8 \mu\text{m}$ Mirror Polished



ISO 1127

Size	T	Ø A	Ø Di	CH	L	Material	Code
DN 8	1/8"	34,00	10,30	19,00	28,00	1.4404	026A6I0080012ML
	1/4"	34,00	10,30	19,00	28,00	1.4404	026A6I0080025ML
	3/8"	34,00	10,30	30,00	40,00	1.4404	026A6I0080037ML
	1/2"	34,00	10,30	30,00	40,00	1.4404	026A6I0080050ML
	3/4"	34,00	10,30	30,00	40,00	1.4404	026A6I0080075ML
	1"	34,00	10,30	36,00	40,00	1.4404	026A6I0080100ML
DN 10	1/8"	34,00	14,00	19,00	28,00	1.4404	026A6I0100012ML
	1/4"	34,00	14,00	19,00	28,00	1.4404	026A6I0100025ML
	3/8"	34,00	14,00	30,00	40,00	1.4404	026A6I0100037ML
	1/2"	34,00	14,00	30,00	40,00	1.4404	026A6I0100050ML
	3/4"	34,00	14,00	30,00	40,00	1.4404	026A6I0100075ML
	1"	34,00	14,00	36,00	40,00	1.4404	026A6I0100100ML
DN 15	1/8"	34,00	18,10	19,00	28,00	1.4404	026A6I0150012ML
	1/4"	34,00	18,10	19,00	28,00	1.4404	026A6I0150025ML
	3/8"	34,00	18,10	30,00	40,00	1.4404	026A6I0150037ML
	1/2"	34,00	18,10	30,00	40,00	1.4404	026A6I0150050ML
	3/4"	34,00	18,10	30,00	40,00	1.4404	026A6I0150075ML
	1"	34,00	18,10	36,00	40,00	1.4404	026A6I0150100ML
DN 20	1/8"	34,00	20,00	19,00	28,00	1.4404	026A6I0200012ML
	1/4"	34,00	20,00	19,00	28,00	1.4404	026A6I0200025ML
	3/8"	34,00	20,00	30,00	40,00	1.4404	026A6I0200037ML
	1/2"	34,00	20,00	30,00	40,00	1.4404	026A6I0200050ML
	3/4"	34,00	20,00	30,00	40,00	1.4404	026A6I0200075ML
	1"	34,00	20,00	36,00	40,00	1.4404	026A6I0200100ML
DN 25	1/8"	50,50	29,70	22,00	28,00	1.4404	026A6I0250012ML
	1/4"	50,50	29,70	22,00	28,00	1.4404	026A6I0250025ML
	3/8"	50,50	29,70	24,00	28,00	1.4404	026A6I0250037ML
	1/2"	50,50	29,70	27,00	28,00	1.4404	026A6I0250050ML
	3/4"	50,50	29,70	32,00	28,00	1.4404	026A6I0250075ML
	1"	50,50	29,70	36,00	28,00	1.4404	026A6I0250100ML
	1.1/4"	50,50	29,70	46,00	45,00	1.4404	026A6I0250125ML
	1.1/2"	50,50	29,70	46,00	45,00	1.4404	026A6I0250150ML
DN 32	1/8"	50,50	38,40	22,00	28,00	1.4404	026A6I0320012ML
	1/4"	50,50	38,40	22,00	28,00	1.4404	026A6I0320025ML
	3/8"	50,50	38,40	24,00	28,00	1.4404	026A6I0320037ML
	1/2"	50,50	38,40	27,00	28,00	1.4404	026A6I0320050ML
	3/4"	50,50	38,40	32,00	28,00	1.4404	026A6I0320075ML
	1"	50,50	38,40	36,00	28,00	1.4404	026A6I0320100ML
	1.1/4"	50,50	38,40	46,00	45,00	1.4404	026A6I0320125ML
	1.1/2"	50,50	38,40	46,00	45,00	1.4404	026A6I0320150ML
	DN 40	1/8"	64,00	44,30	22,00	32,00	1.4404
1/4"		64,00	44,30	22,00	32,00	1.4404	026A6I0400025ML
3/8"		64,00	44,30	24,00	32,00	1.4404	026A6I0400037ML
1/2"		64,00	44,30	27,00	32,00	1.4404	026A6I0400050ML
3/4"		64,00	44,30	32,00	32,00	1.4404	026A6I0400075ML
1"		64,00	44,30	41,00	32,00	1.4404	026A6I0400100ML
1.1/4"		64,00	44,30	50,00	40,00	1.4404	026A6I0400125ML
1.1/2"		64,00	44,30	54,00	40,00	1.4404	026A6I0400150ML
2"		64,00	44,30	65,00	40,00	1.4404	026A6I0400200ML

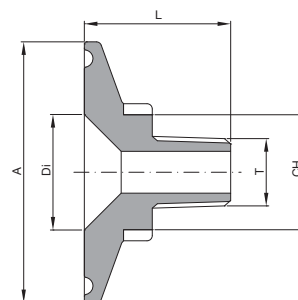
**ML**Int. finishing: $Ra \leq 0,4 \mu\text{m}$ Machined FinishExt. finishing: $Ra \leq 0,8 \mu\text{m}$ Mirror Polished

ASTM A270 Flange design According to ASME-BPE

Size	T	Ø A	Ø Di	CH	L	Material	Code
1/2"	1/8"	25,00	9,40	22,00	30,00	1.4404	026B600500012ML
	1/4"	25,00	9,40	22,00	30,00	1.4404	026B600500025ML
	3/8"	25,00	9,40	22,00	30,00	1.4404	026B600500037ML
	1/2"	25,00	9,40	22,00	38,00	1.4404	026B600500050ML
3/4"	1/8"	25,00	15,75	22,00	30,00	1.4404	026B600750012ML
	1/4"	25,00	15,75	22,00	30,00	1.4404	026B600750025ML
	3/8"	25,00	15,75	22,00	30,00	1.4404	026B600750037ML
	1/2"	25,00	15,75	22,00	38,00	1.4404	026B600750050ML
1"	1/8"	50,50	22,10	22,00	28,00	1.4404	026B601000012ML
	1/4"	50,50	22,10	22,00	28,00	1.4404	026B601000025ML
	3/8"	50,50	22,10	24,00	28,00	1.4404	026B601000037ML
	1/2"	50,50	22,10	27,00	31,00	1.4404	026B601000050ML
	3/4"	50,50	22,10	32,00	31,00	1.4404	026B601000075ML
	1"	50,50	22,10	36,00	34,00	1.4404	026B601000100ML
1.1/2"	1/8"	50,50	34,80	22,00	28,00	1.4404	026B601500012ML
	1/4"	50,50	34,80	22,00	28,00	1.4404	026B601500025ML
	3/8"	50,50	34,80	24,00	28,00	1.4404	026B601500037ML
	1/2"	50,50	34,80	27,00	31,00	1.4404	026B601500050ML
	3/4"	50,50	34,80	32,00	31,00	1.4404	026B601500075ML
	1"	50,50	34,80	36,00	34,00	1.4404	026B601500100ML
	1.1/4"	50,50	34,80	46,00	45,00	1.4404	026B601500125ML
2"	1/8"	64,00	47,50	22,00	30,00	1.4404	026B602000012ML
	1/4"	64,00	47,50	22,00	30,00	1.4404	026B602000025ML
	3/8"	64,00	47,50	24,00	30,00	1.4404	026B602000037ML
	1/2"	64,00	47,50	27,00	35,00	1.4404	026B602000050ML
	3/4"	64,00	47,50	32,00	35,00	1.4404	026B602000075ML
	1"	64,00	47,50	36,00	40,00	1.4404	026B602000100ML
	1.1/4"	64,00	47,50	50,00	40,00	1.4404	026B602000125ML
	1.1/2"	64,00	47,50	47,00	40,00	1.4404	026B602000150ML
2.1/2"	1/8"	77,40	60,20	22,00	37,00	1.4404	026B602500012ML
	1/4"	77,40	60,20	22,00	37,00	1.4404	026B602500025ML
	3/8"	77,40	60,20	24,00	37,00	1.4404	026B602500037ML
	1/2"	77,40	60,20	27,00	40,00	1.4404	026B602500050ML
	3/4"	77,40	60,20	32,00	40,00	1.4404	026B602500075ML
	1"	77,40	60,20	36,00	42,00	1.4404	026B602500100ML
	1.1/4"	77,40	60,20	46,00	42,00	1.4404	026B602500125ML
	1.1/2"	77,40	60,20	47,00	42,00	1.4404	026B602500150ML

**ML**

Int. finishing: $Ra \leq 0,4 \mu\text{m}$ Machined Finish
 Ext. finishing: $Ra \leq 0,8 \mu\text{m}$ Mirror Polished



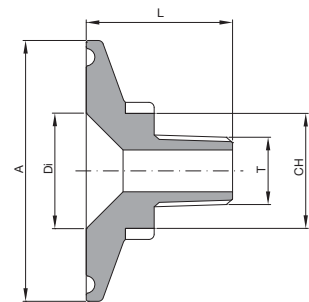
DIN 32676

Size	T	Ø A	Ø Di	CH	L	Material	Code
DN 10	1/8"	34,00	10,00	19,00	30,00	1.4404	026B6D0100012ML
	1/4"	34,00	10,00	19,00	30,00	1.4404	026B6D0100025ML
	3/8"	34,00	10,00	30,00	43,00	1.4404	026B6D0100037ML
	1/2"	34,00	10,00	30,00	43,00	1.4404	026B6D0100050ML
DN 15	1/8"	34,00	16,00	19,00	30,00	1.4404	026B6D0150012ML
	1/4"	34,00	16,00	19,00	30,00	1.4404	026B6D0150025ML
	3/8"	34,00	16,00	30,00	40,00	1.4404	026B6D0150037ML
	1/2"	34,00	16,00	30,00	43,00	1.4404	026B6D0150050ML
DN 20	1/8"	34,00	20,00	19,00	30,00	1.4404	026B6D0200012ML
	1/4"	34,00	20,00	19,00	30,00	1.4404	026B6D0200025ML
	3/8"	34,00	20,00	30,00	40,00	1.4404	026B6D0200037ML
	1/2"	34,00	20,00	30,00	43,00	1.4404	026B6D0200050ML
DN 25	1/8"	50,50	26,00	22,00	28,00	1.4404	026B6D0250012ML
	1/4"	50,50	26,00	22,00	28,00	1.4404	026B6D0250025ML
	3/8"	50,50	26,00	24,00	28,00	1.4404	026B6D0250037ML
	1/2"	50,50	26,00	27,00	31,00	1.4404	026B6D0250050ML
	3/4"	50,50	26,00	32,00	31,00	1.4404	026B6D0250075ML
	1"	50,50	26,00	36,00	34,00	1.4404	026B6D0250100ML
DN 32	1/8"	50,50	32,00	22,00	28,00	1.4404	026B6D0320012ML
	1/4"	50,50	32,00	22,00	28,00	1.4404	026B6D0320025ML
	3/8"	50,50	32,00	24,00	28,00	1.4404	026B6D0320037ML
	1/2"	50,50	32,00	27,00	31,00	1.4404	026B6D0320050ML
	3/4"	50,50	32,00	32,00	31,00	1.4404	026B6D0320075ML
	1"	50,50	32,00	36,00	34,00	1.4404	026B6D0320100ML
	1.1/4"	50,50	32,00	46,00	45,00	1.4404	026B6D0320125ML
	1.1/4"	50,50	32,00	46,00	45,00	1.4404	026B6D0320125ML
DN 40	1/8"	50,50	38,00	22,00	28,00	1.4404	026B6D0400012ML
	1/4"	50,50	38,00	22,00	28,00	1.4404	026B6D0400025ML
	3/8"	50,50	38,00	24,00	28,00	1.4404	026B6D0400037ML
	1/2"	50,50	38,00	27,00	31,00	1.4404	026B6D0400050ML
	3/4"	50,50	38,00	32,00	31,00	1.4404	026B6D0400075ML
	1"	50,50	38,00	36,00	34,00	1.4404	026B6D0400100ML
	1.1/4"	50,50	38,00	46,00	45,00	1.4404	026B6D0400125ML
	1.1/4"	50,50	38,00	46,00	45,00	1.4404	026B6D0400125ML
DN 50	1/8"	64,00	50,00	22,00	30,00	1.4404	026B6D0500012ML
	1/4"	64,00	50,00	22,00	30,00	1.4404	026B6D0500025ML
	3/8"	64,00	50,00	24,00	30,00	1.4404	026B6D0500037ML
	1/2"	64,00	50,00	27,00	35,00	1.4404	026B6D0500050ML
	3/4"	64,00	50,00	32,00	35,00	1.4404	026B6D0500075ML
	1"	64,00	50,00	36,00	40,00	1.4404	026B6D0500100ML
	1.1/4"	64,00	50,00	50,00	40,00	1.4404	026B6D0500125ML
	1.1/4"	64,00	50,00	50,00	40,00	1.4404	026B6D0500125ML
	1.1/2"	64,00	50,00	47,00	40,00	1.4404	026B6D0500150ML



ML

Int. finishing: $Ra \leq 0,4 \mu\text{m}$ Machined Finish
 Ext. finishing: $Ra \leq 0,8 \mu\text{m}$ Mirror Polished

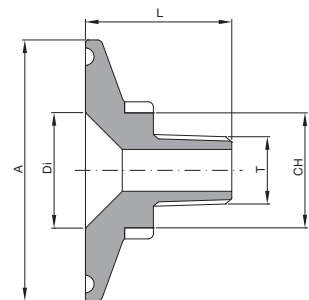


ISO 1127

Size	T	Ø A	Ø Di	CH	L	Material	Code
DN 8	1/8"	34,00	10,30	19,00	30,00	1.4404	026B6I0080012ML
	1/4"	34,00	10,30	19,00	30,00	1.4404	026B6I0080025ML
	3/8"	34,00	10,30	30,00	40,00	1.4404	026B6I0080037ML
	1/2"	34,00	10,30	30,00	43,00	1.4404	026B6I0080050ML
DN 10	1/8"	34,00	14,00	19,00	30,00	1.4404	026B6I0100012ML
	1/4"	34,00	14,00	19,00	30,00	1.4404	026B6I0100025ML
	3/8"	34,00	14,00	30,00	40,00	1.4404	026B6I0100037ML
	1/2"	34,00	14,00	30,00	43,00	1.4404	026B6I0100050ML
DN 15	1/8"	34,00	18,10	19,00	30,00	1.4404	026B6I0150012ML
	1/4"	34,00	18,10	19,00	30,00	1.4404	026B6I0150025ML
	3/8"	34,00	18,10	30,00	40,00	1.4404	026B6I0150037ML
	1/2"	34,00	18,10	30,00	43,00	1.4404	026B6I0150050ML
DN 20	1/8"	50,50	23,70	22,00	28,00	1.4404	026B6I0200012ML
	1/4"	50,50	23,70	22,00	28,00	1.4404	026B6I0200025ML
	3/8"	50,50	23,70	24,00	28,00	1.4404	026B6I0200037ML
	1/2"	50,50	23,70	27,00	31,00	1.4404	026B6I0200050ML
	3/4"	50,50	23,70	32,00	31,00	1.4404	026B6I0200075ML
	1"	50,50	23,70	36,00	34,00	1.4404	026B6I0200100ML
DN 25	1/8"	50,50	29,70	22,00	28,00	1.4404	026B6I0250012ML
	1/4"	50,50	29,70	22,00	28,00	1.4404	026B6I0250025ML
	3/8"	50,50	29,70	24,00	28,00	1.4404	026B6I0250037ML
	1/2"	50,50	29,70	27,00	31,00	1.4404	026B6I0250050ML
	3/4"	50,50	29,70	32,00	31,00	1.4404	026B6I0250075ML
	1"	50,50	29,70	36,00	34,00	1.4404	026B6I0250100ML
	1.1/4"	50,50	29,70	46,00	45,00	1.4404	026B6I0250125ML
	1.1/2"	50,50	29,70	46,00	45,00	1.4404	026B6I0250150ML
DN 32	1/8"	50,50	38,40	22,00	28,00	1.4404	026B6I0320012ML
	1/4"	50,50	38,40	22,00	28,00	1.4404	026B6I0320025ML
	3/8"	50,50	38,40	24,00	28,00	1.4404	026B6I0320037ML
	1/2"	50,50	38,40	27,00	31,00	1.4404	026B6I0320050ML
	3/4"	50,50	38,40	32,00	31,00	1.4404	026B6I0320075ML
	1"	50,50	38,40	36,00	34,00	1.4404	026B6I0320100ML
	1.1/4"	50,50	38,40	46,00	45,00	1.4404	026B6I0320125ML
	1.1/2"	50,50	38,40	46,00	45,00	1.4404	026B6I0320150ML
DN 40	1/8"	64,00	44,30	22,00	30,00	1.4404	026B6I0400012ML
	1/4"	64,00	44,30	22,00	30,00	1.4404	026B6I0400025ML
	3/8"	64,00	44,30	24,00	30,00	1.4404	026B6I0400037ML
	1/2"	64,00	44,30	27,00	35,00	1.4404	026B6I0400050ML
	3/4"	64,00	44,30	32,00	35,00	1.4404	026B6I0400075ML
	1"	64,00	44,30	36,00	40,00	1.4404	026B6I0400100ML
	1.1/4"	64,00	44,30	50,00	40,00	1.4404	026B6I0400125ML
	1.1/2"	64,00	44,30	47,00	40,00	1.4404	026B6I0400150ML

**ML**

Int. finishing: $Ra \leq 0,4 \mu\text{m}$ Machined Finish
 Ext. finishing: $Ra \leq 0,8 \mu\text{m}$ Mirror Polished



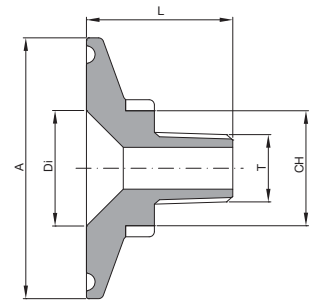


ASTM A270 Flange design According to ASME-BPE

Size	T	Ø A	Ø Di	CH	L	Material	Code	
1/2"	1/8"	25,00	9,40	22,00	30,00	1.4404	026C600500012ML	
	1/4"	25,00	9,40	22,00	30,00	1.4404	026C600500025ML	
	3/8"	25,00	9,40	22,00	30,00	1.4404	026C600500037ML	
	1/2"	25,00	9,40	22,00	38,00	1.4404	026C600500050ML	
3/4"	1/8"	25,00	15,75	22,00	30,00	1.4404	026C600750012ML	
	1/4"	25,00	15,75	22,00	30,00	1.4404	026C600750025ML	
	3/8"	25,00	15,75	22,00	30,00	1.4404	026C600750037ML	
	1/2"	25,00	15,75	22,00	38,00	1.4404	026C600750050ML	
1"	1/8"	50,50	22,10	22,00	28,00	1.4404	026C601000012ML	
	1/4"	50,50	22,10	22,00	28,00	1.4404	026C601000025ML	
	3/8"	50,50	22,10	24,00	28,00	1.4404	026C601000037ML	
	1/2"	50,50	22,10	27,00	31,00	1.4404	026C601000050ML	
	3/4"	50,50	22,10	32,00	31,00	1.4404	026C601000075ML	
	1"	50,50	22,10	36,00	34,00	1.4404	026C601000100ML	
1.1/2"	1/8"	50,50	34,80	22,00	28,00	1.4404	026C601500012ML	
	1/4"	50,50	34,80	22,00	28,00	1.4404	026C601500025ML	
	3/8"	50,50	34,80	24,00	28,00	1.4404	026C601500037ML	
	1/2"	50,50	34,80	27,00	31,00	1.4404	026C601500050ML	
	3/4"	50,50	34,80	32,00	31,00	1.4404	026C601500075ML	
	1"	50,50	34,80	36,00	34,00	1.4404	026C601500100ML	
1.1/4"	50,50	34,80	46,00	45,00	1.4404	026C601500125ML		
	2"	1/8"	64,00	47,50	22,00	30,00	1.4404	026C602000012ML
		1/4"	64,00	47,50	22,00	30,00	1.4404	026C602000025ML
		3/8"	64,00	47,50	24,00	30,00	1.4404	026C602000037ML
		1/2"	64,00	47,50	27,00	35,00	1.4404	026C602000050ML
		3/4"	64,00	47,50	32,00	35,00	1.4404	026C602000075ML
1"		64,00	47,50	36,00	40,00	1.4404	026C602000100ML	
1.1/4"		64,00	47,50	50,00	40,00	1.4404	026C602000125ML	
1.1/2"		64,00	47,50	47,00	40,00	1.4404	026C602000150ML	
2.1/2"	1/8"	77,40	60,20	22,00	37,00	1.4404	026C602500012ML	
	1/4"	77,40	60,20	22,00	37,00	1.4404	026C602500025ML	
	3/8"	77,40	60,20	24,00	37,00	1.4404	026C602500037ML	
	1/2"	77,40	60,20	27,00	40,00	1.4404	026C602500050ML	
	3/4"	77,40	60,20	32,00	40,00	1.4404	026C602500075ML	
	1"	77,40	60,20	36,00	42,00	1.4404	026C602500100ML	
	1.1/4"	77,40	60,20	46,00	42,00	1.4404	026C602500125ML	
	1.1/2"	77,40	60,20	47,00	42,00	1.4404	026C602500150ML	

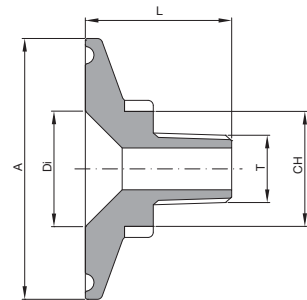
ML

Int. finishing: $Ra \leq 0,4 \mu m$ Machined Finish
Ext. finishing: $Ra \leq 0,8 \mu m$ Mirror Polished



DIN 32676

Size	T	Ø A	Ø Di	CH	L	Material	Code
DN 10	1/8"	34,00	10,00	19,00	30,00	1.4404	026C6D0100012ML
	1/4"	34,00	10,00	19,00	30,00	1.4404	026C6D0100025ML
	3/8"	34,00	10,00	30,00	43,00	1.4404	026C6D0100037ML
	1/2"	34,00	10,00	30,00	43,00	1.4404	026C6D0100050ML
DN 15	1/8"	34,00	16,00	19,00	30,00	1.4404	026C6D0150012ML
	1/4"	34,00	16,00	19,00	30,00	1.4404	026C6D0150025ML
	3/8"	34,00	16,00	30,00	40,00	1.4404	026C6D0150037ML
	1/2"	34,00	16,00	30,00	43,00	1.4404	026C6D0150050ML
DN 20	1/8"	34,00	20,00	19,00	30,00	1.4404	026C6D0200012ML
	1/4"	34,00	20,00	19,00	30,00	1.4404	026C6D0200025ML
	3/8"	34,00	20,00	30,00	40,00	1.4404	026C6D0200037ML
	1/2"	34,00	20,00	30,00	43,00	1.4404	026C6D0200050ML
DN 25	1/8"	50,50	26,00	22,00	28,00	1.4404	026C6D0250012ML
	1/4"	50,50	26,00	22,00	28,00	1.4404	026C6D0250025ML
	3/8"	50,50	26,00	24,00	28,00	1.4404	026C6D0250037ML
	1/2"	50,50	26,00	27,00	31,00	1.4404	026C6D0250050ML
	3/4"	50,50	26,00	32,00	31,00	1.4404	026C6D0250075ML
	1"	50,50	26,00	36,00	34,00	1.4404	026C6D0250100ML
DN 32	1/8"	50,50	32,00	22,00	28,00	1.4404	026C6D0320012ML
	1/4"	50,50	32,00	22,00	28,00	1.4404	026C6D0320025ML
	3/8"	50,50	32,00	24,00	28,00	1.4404	026C6D0320037ML
	1/2"	50,50	32,00	27,00	31,00	1.4404	026C6D0320050ML
	3/4"	50,50	32,00	32,00	31,00	1.4404	026C6D0320075ML
	1"	50,50	32,00	36,00	34,00	1.4404	026C6D0320100ML
	1.1/4"	50,50	32,00	46,00	45,00	1.4404	026C6D0320125ML
	1.1/4"	50,50	32,00	46,00	45,00	1.4404	026C6D0320125ML
DN 40	1/8"	50,50	38,00	22,00	28,00	1.4404	026C6D0400012ML
	1/4"	50,50	38,00	22,00	28,00	1.4404	026C6D0400025ML
	3/8"	50,50	38,00	24,00	28,00	1.4404	026C6D0400037ML
	1/2"	50,50	38,00	27,00	31,00	1.4404	026C6D0400050ML
	3/4"	50,50	38,00	32,00	31,00	1.4404	026C6D0400075ML
	1"	50,50	38,00	36,00	34,00	1.4404	026C6D0400100ML
	1.1/4"	50,50	38,00	46,00	45,00	1.4404	026C6D0400125ML
	1.1/4"	50,50	38,00	46,00	45,00	1.4404	026C6D0400125ML
DN 50	1/8"	64,00	50,00	22,00	30,00	1.4404	026C6D0500012ML
	1/4"	64,00	50,00	22,00	30,00	1.4404	026C6D0500025ML
	3/8"	64,00	50,00	24,00	30,00	1.4404	026C6D0500037ML
	1/2"	64,00	50,00	27,00	35,00	1.4404	026C6D0500050ML
	3/4"	64,00	50,00	32,00	35,00	1.4404	026C6D0500075ML
	1"	64,00	50,00	36,00	40,00	1.4404	026C6D0500100ML
	1.1/4"	64,00	50,00	50,00	40,00	1.4404	026C6D0500125ML
	1.1/4"	64,00	50,00	50,00	40,00	1.4404	026C6D0500125ML
	1.1/2"	64,00	50,00	47,00	40,00	1.4404	026C6D0500150ML

**ML**Int. finishing: $Ra \leq 0,4 \mu\text{m}$ Machined FinishExt. finishing: $Ra \leq 0,8 \mu\text{m}$ Mirror Polished

ISO 1127

Size	T	Ø A	Ø Di	CH	L	Material	Code
DN 8	1/8"	34,00	10,30	19,00	30,00	1.4404	026C6I0080012ML
	1/4"	34,00	10,30	19,00	30,00	1.4404	026C6I0080025ML
	3/8"	34,00	10,30	30,00	40,00	1.4404	026C6I0080037ML
	1/2"	34,00	10,30	30,00	43,00	1.4404	026C6I0080050ML
DN 10	1/8"	34,00	14,00	19,00	30,00	1.4404	026C6I0100012ML
	1/4"	34,00	14,00	19,00	30,00	1.4404	026C6I0100025ML
	3/8"	34,00	14,00	30,00	40,00	1.4404	026C6I0100037ML
	1/2"	34,00	14,00	30,00	43,00	1.4404	026C6I0100050ML
DN 15	1/8"	34,00	18,10	19,00	30,00	1.4404	026C6I0150012ML
	1/4"	34,00	18,10	19,00	30,00	1.4404	026C6I0150025ML
	3/8"	34,00	18,10	30,00	40,00	1.4404	026C6I0150037ML
	1/2"	34,00	18,10	30,00	43,00	1.4404	026C6I0150050ML
DN 20	1/8"	50,50	23,70	22,00	28,00	1.4404	026C6I0200012ML
	1/4"	50,50	23,70	22,00	28,00	1.4404	026C6I0200025ML
	3/8"	50,50	23,70	24,00	28,00	1.4404	026C6I0200037ML
	1/2"	50,50	23,70	27,00	31,00	1.4404	026C6I0200050ML
	3/4"	50,50	23,70	32,00	31,00	1.4404	026C6I0200075ML
	1"	50,50	23,70	36,00	34,00	1.4404	026C6I0200100ML
DN 25	1/8"	50,50	29,70	22,00	28,00	1.4404	026C6I0250012ML
	1/4"	50,50	29,70	22,00	28,00	1.4404	026C6I0250025ML
	3/8"	50,50	29,70	24,00	28,00	1.4404	026C6I0250037ML
	1/2"	50,50	29,70	27,00	31,00	1.4404	026C6I0250050ML
	3/4"	50,50	29,70	32,00	31,00	1.4404	026C6I0250075ML
	1"	50,50	29,70	36,00	34,00	1.4404	026C6I0250100ML
	1.1/4"	50,50	29,70	46,00	45,00	1.4404	026C6I0250125ML
	1.1/2"	50,50	29,70	46,00	45,00	1.4404	026C6I0250150ML
DN 32	1/8"	50,50	38,40	22,00	28,00	1.4404	026C6I0320012ML
	1/4"	50,50	38,40	22,00	28,00	1.4404	026C6I0320025ML
	3/8"	50,50	38,40	24,00	28,00	1.4404	026C6I0320037ML
	1/2"	50,50	38,40	27,00	31,00	1.4404	026C6I0320050ML
	3/4"	50,50	38,40	32,00	31,00	1.4404	026C6I0320075ML
	1"	50,50	38,40	36,00	34,00	1.4404	026C6I0320100ML
	1.1/4"	50,50	38,40	46,00	45,00	1.4404	026C6I0320125ML
	1.1/2"	50,50	38,40	46,00	45,00	1.4404	026C6I0320150ML
DN 40	1/8"	64,00	44,30	22,00	30,00	1.4404	026C6I0400012ML
	1/4"	64,00	44,30	22,00	30,00	1.4404	026C6I0400025ML
	3/8"	64,00	44,30	24,00	30,00	1.4404	026C6I0400037ML
	1/2"	64,00	44,30	27,00	35,00	1.4404	026C6I0400050ML
	3/4"	64,00	44,30	32,00	35,00	1.4404	026C6I0400075ML
	1"	64,00	44,30	36,00	40,00	1.4404	026C6I0400100ML
	1.1/4"	64,00	44,30	50,00	40,00	1.4404	026C6I0400125ML
	1.1/2"	64,00	44,30	47,00	40,00	1.4404	026C6I0400150ML



ML

Int. finishing: $Ra \leq 0,4 \mu m$ Machined Finish
Ext. finishing: $Ra \leq 0,8 \mu m$ Mirror Polished

